



BN Products - USA, LLC

Products for the Construction Industry

3450 Sabin Brown Road • Wickenburg, AZ 85390
(800) 992-3833 • mail@bnproducts.com

Operating Instructions
BNR1841
Hand Held
Drywall Sanding Machine

NOW
WITH NEW
HALO LIGHT
FEATURE



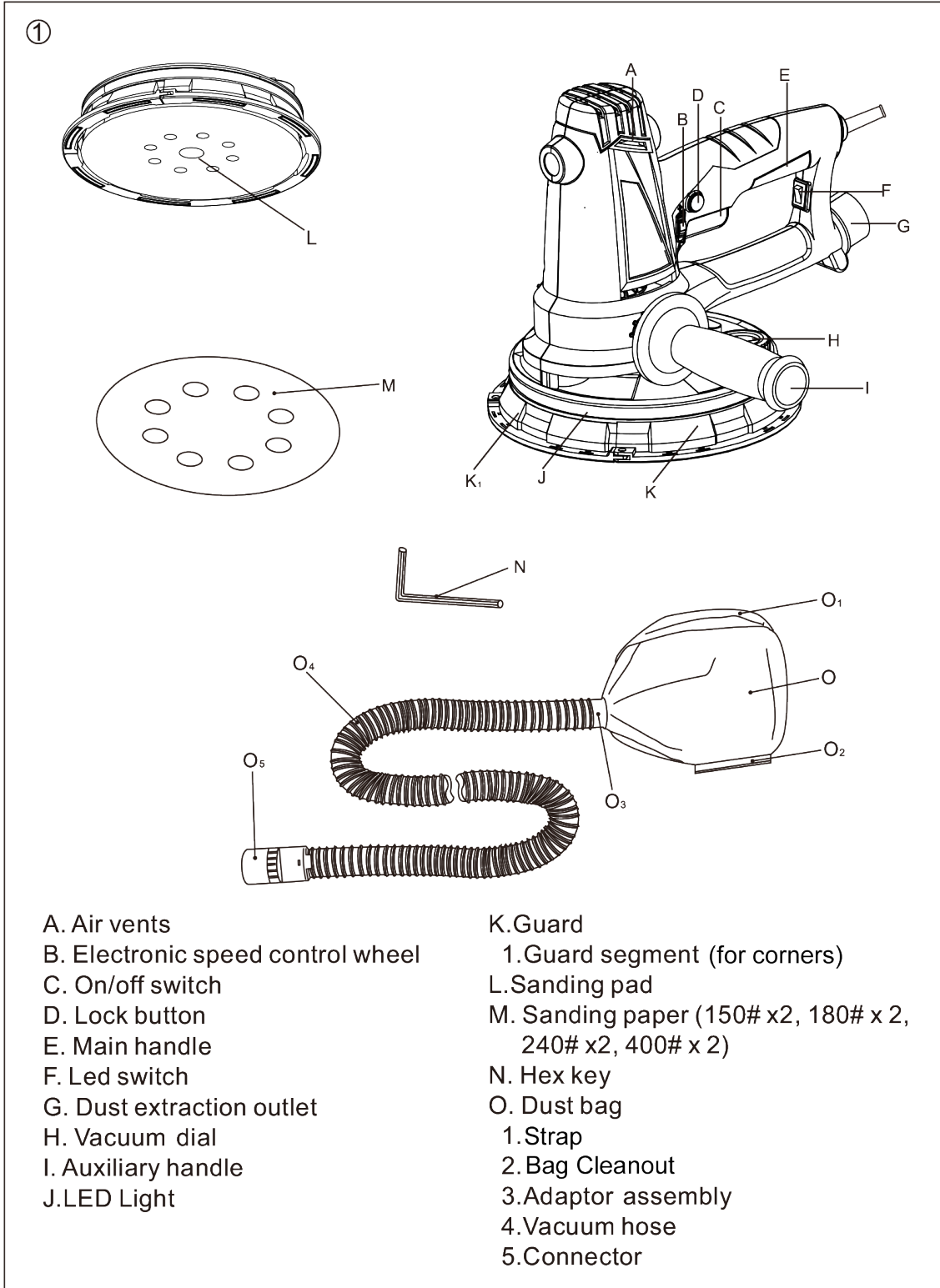
Please read this manual carefully before using this machine to make sure you are familiar with all safety and warning instructions.

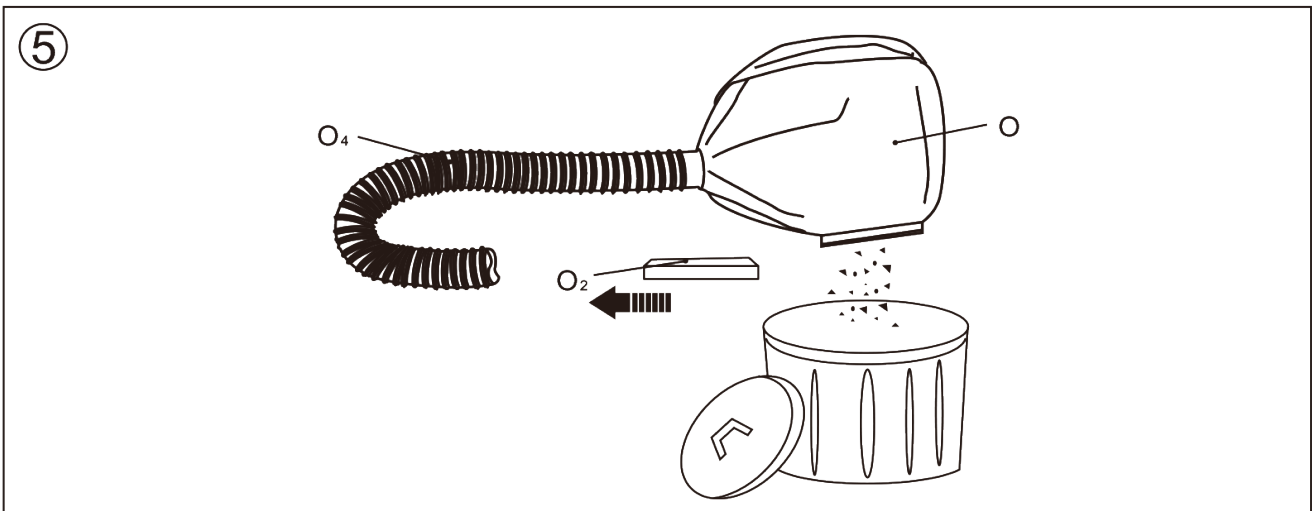
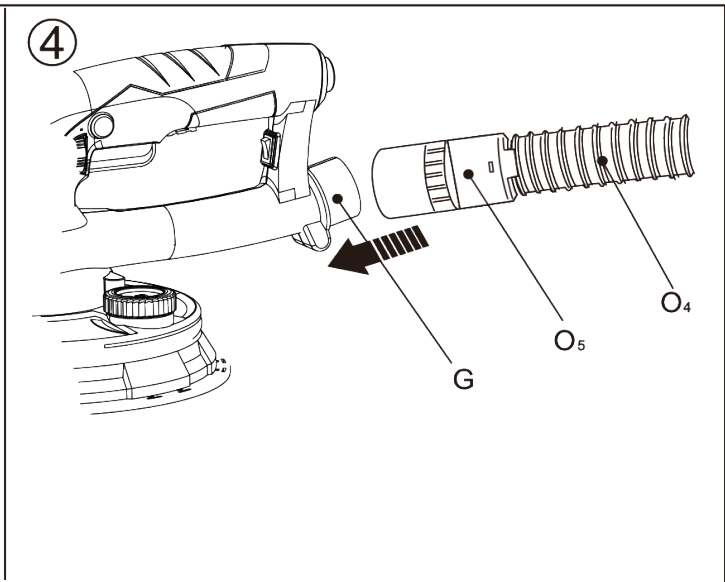
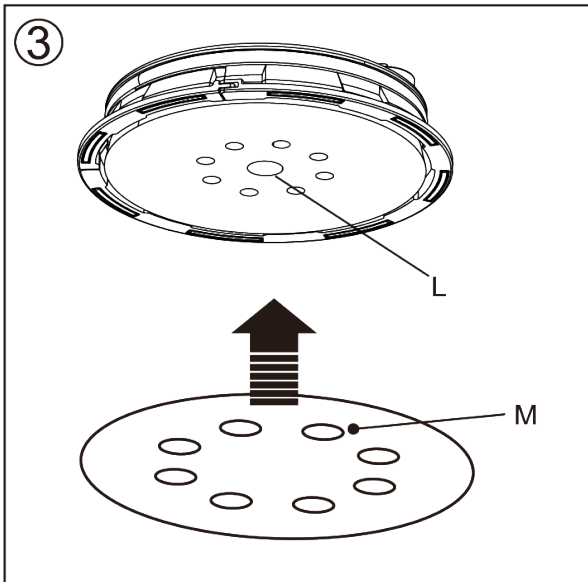
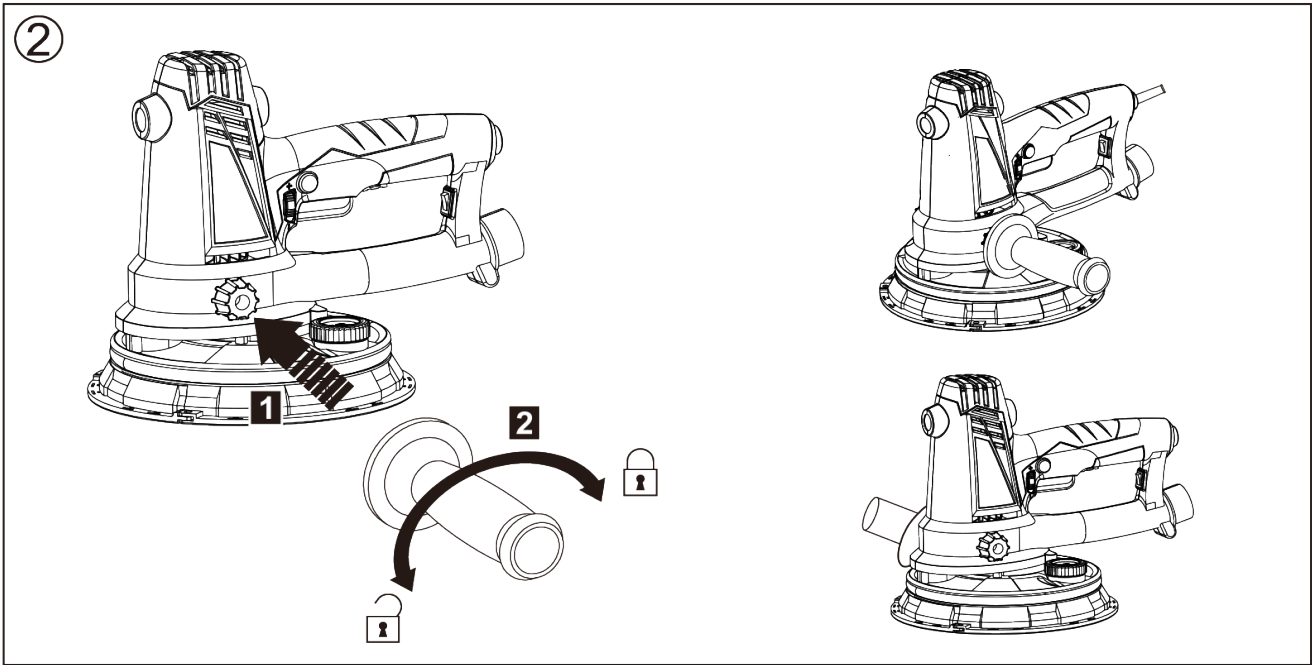


Machine Call-Outs

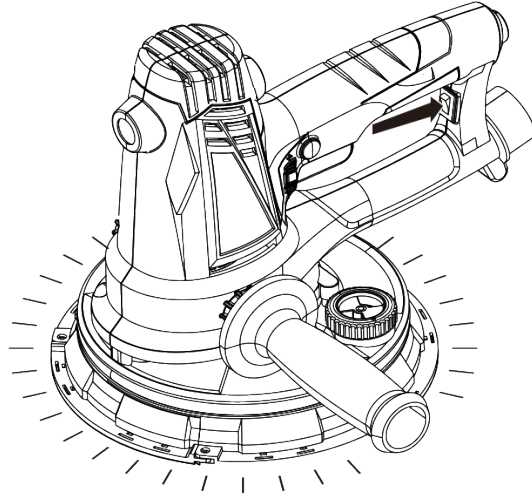


Please read this manual carefully before using this machine to make sure you are familiar with all safety and warning instructions.

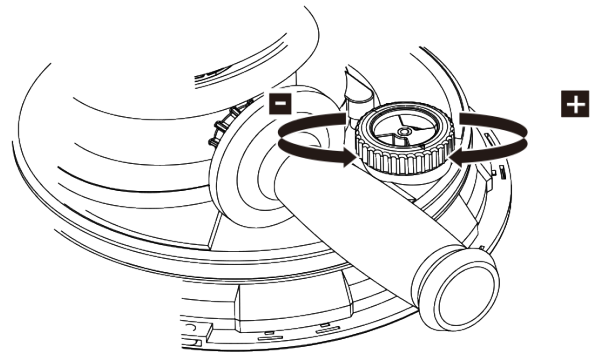
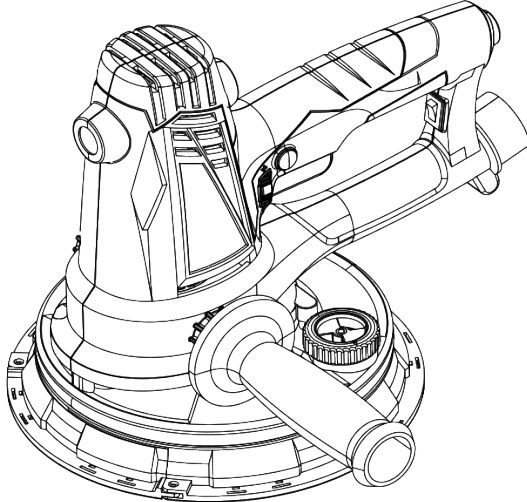




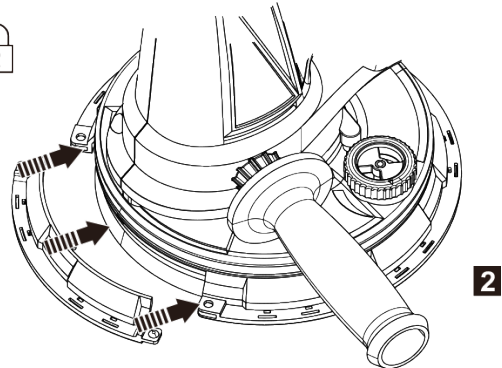
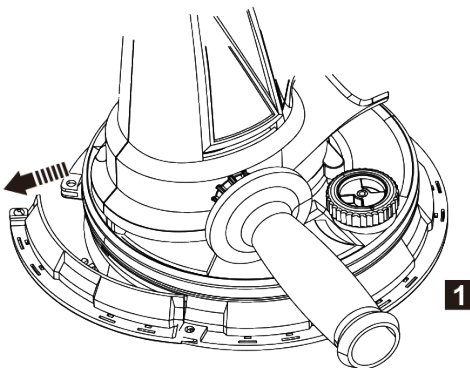
⑥



⑦



⑧



TECHNICAL SPECIFICATIONS

Model Number	BNR1841
Voltage	120V~, 60Hz
Power	6A 720W
Rotation Speed	1500-2700 min ⁻¹
Round Sanding Pad.ø	7" (180mm)
Protection class	Class II Double Insulated

SAFETY

GENERAL SAFETY INSTRUCTIONS

WARNING! Read all safety warnings and all instructions. Failure to follow the warnings and instructions may result in electric shock, fire and/or serious injury. **Save all these instructions for future reference.** The term "power tool" in the warnings refers to your (corded) power tool.

1. WORK AREA SAFETY

- Keep work area clean and well lit. Cluttered or dark areas invite accidents.
- Do not operate power tools in explosive atmospheres, such as in the presence of flammable liquids, gases or dust. Power tools create sparks which may ignite the dust or fumes.
- Keep children and bystanders away while operating a power tool. Distractions can cause you to lose control.

2. ELECTRICAL SAFETY

- Power tool plugs must match the outlet. Never modify the plug in any way. Do not use any adapter plugs with earthed (grounded) power tools. Unmodified plugs and matching outlets will reduce risk of electric shock.
- Avoid body contact with grounded surfaces such as pipes, radiators, ranges and refrigerators. There is an increased risk of electric shock if your body is grounded.
- Do not expose power tools to rain or wet conditions. Water entering a power tool will increase the risk of electric shock.
- Do not abuse the cord. Never use the cord for carrying, pulling or unplugging the power tool. Keep cord away from heat, oil, sharp edges or moving parts. Damaged or entangled cords increase the risk of electric shock.
- When operating a power tool outdoors, use an extension cord suitable for outdoor use. Use of a cord suitable for outdoor use reduces the risk of electric shock.

3. PERSONAL SAFETY

- Stay alert, watch what you are doing and use common sense when operating a power tool. Do not use a power tool while you are tired or under the influence

of drugs, alcohol or medication. A moment of inattention while operating power tools may result in serious personal injury.

- Use personal protective equipment. Always wear eye protection. Protective equipment such as dust mask, non-skid safety shoes, hard hat, or hearing protection used for appropriate conditions will reduce personal injuries.
- Prevent unintentional starting. Ensure the switch is in the off-position before connecting to power source and/or battery pack, picking up or carrying the tool. Carrying power tools with your finger on the switch or energising power tools that have the switch on invites accidents.
- Remove any adjusting key or wrench before turning the power tool on. A wrench or a key left attached to a rotating part of the power tool may result in personal injury.
- Do not overreach. Keep proper footing and balance at all times. This enables better control of the power tool in unexpected situations.
- Dress properly. Do not wear loose clothing or jewelry. Keep your hair, clothing and gloves away from moving parts. Loose clothes, jewelry or long hair can be caught in moving parts.
- If devices are provided for the connection of dust extraction and collection facilities, ensure these are connected and properly used. Use of dust collection can reduce dust-related hazards.

4. POWER TOOL USE AND CARE

- Do not force the power tool. Use the correct power tool for your application. The correct power tool will do the job better and safer at the rate for which it was designed.
- Do not use the power tool if the switch does not turn it on and off. Any power tool that cannot be controlled with the switch is dangerous and must be repaired.
- Disconnect the plug from the power source and/or the battery pack from the power tool before making any adjustments, changing accessories, or storing power tools. Such preventive safety measures reduce the risk of starting the power tool accidentally.
- Store idle power tools out of the reach of children and do not allow persons unfamiliar with the power tool or these instructions to operate the power tool. Power tools are dangerous in the hands of untrained users.
- Maintain power tools. Check for misalignment or binding of moving parts, breakage of parts and any other condition that may affect the power tool's operation. If damaged, have the power tool repaired before use. Many accidents are caused by poorly maintained power tools.
- Keep cutting tools sharp and clean. Properly maintained cutting tools with sharp cutting edges are less

likely to bind and are easier to control.

- Use the power tool, accessories and tool bits etc., in accordance with these instructions, taking into account the working conditions and the work to be performed. Use of the power tool for operations different from those intended could result in a hazardous situation.

5. SERVICE

Have your power tool serviced by a qualified repair person using only identical replacement parts. This will ensure that the safety of the power tool is maintained. Contact: BN Products-USA • (800) 992-3833 • mail@bnproducts.com • www.bnproducts.com

SAFETY INSTRUCTIONS FOR SANDERS

1) SAFETY INSTRUCTIONS FOR ALL OPERATIONS

- a) This power tool is intended to function as a sander. Read all safety warnings, instructions, illustrations and specifications provided with this power tool. Failure to follow all instructions listed below may result in electric shock, fire and/or serious injury.
- b) This power tool is not recommended for grinding, wire brushing or cutting off operations. Operations for which the power tool was not designed may create a hazard and cause personal injury.
- c) Do not use accessories which are not specifically designed and recommended by BN Products-USA. Just because the accessory can be attached to your power tool, it does not assure safe operation.
- d) The rated speed of the accessory must be at least equal to the maximum speed marked on the power tool. Accessories running faster than their rated speed can fly apart.
- e) The outside diameter and the thickness of your accessory must be within the capacity rating of your power tool. Incorrectly sized accessories cannot be adequately guarded or controlled.
- f) The arbour size of wheels, flanges, backing pads or any other accessory must properly fit the spindle of the power tool. Accessories with arbour holes that do not match the mounting hardware of the power tool will run out of balance, vibrate excessively and may cause loss of control.
- g) Do not use a damaged accessory. Before each use inspect the accessory such as abrasive wheels for chips and cracks, backing pads for cracks, tear or excess wear, wire brushes for loose or cracked wires. If the power tool or accessory is dropped, inspect for damage or install an undamaged accessory. After inspecting and installing an accessory, position yourself and bystanders away from the plane of the rotating accessory and run the power tool at maximum no load speed for one minute. Damaged accessories will normally break apart during this test time.
- h) Wear personal protective equipment. Depending on application, use face shield, safety goggles or safety glasses.

As appropriate, wear dust mask, hearing protectors, gloves and shop apron capable of stopping small abrasive or workpiece fragments. The eye protection must be capable of stopping flying debris generated by various operations. The dust mask or respirator must be capable of filtering particles generated by your operation. Prolonged exposure to high intensity noise may cause hearing loss.

- i) Keep bystanders a safe distance away from work area. Anyone entering the work area must wear personal protective equipment. Fragments of the workpiece or of a broken accessory may fly away and cause injury beyond the immediate area of operation.
 - j) Hold power tool by insulated gripping surfaces only, when performing an operation where the sander may contact hidden wiring or its own cord. Contacting a "live" wire may make exposed metal parts of the power tool "live" and could give the operator an electric shock.
 - k) Position the cord clear of the spinning accessory. If you lose control, the cord may be cut or snagged and your hand or arm may be pulled into the spinning accessory.
- l) Never lay the power tool down until the accessory has come to a complete stop. The spinning accessory may grab the surface and pull the power tool out of your control.
 - m) Do not run the power tool while carrying it at your side. Accidental contact with the spinning accessory could snag your clothing, pulling the accessory into your body.
 - n) Regularly clean the power tool's air vents. The motor's fan will draw the dust inside the housing and excessive accumulation of powders may cause electrical hazards.
 - o) Do not operate the power tool near flammable materials. Sparks could ignite these materials.
 - p) Do not use accessories that require liquid coolants. Using water or other liquid coolants may result in electrocution or shock.

2) KICKBACK AND RELATED WARNINGS

- Kickback is a sudden reaction to a pinched or snagged rotating wheel, backing pad, brush or any other accessory. Pinching or snagging causes rapid stalling of the rotating accessory which in turn causes the uncontrolled power tool to be forced in the direction opposite of the accessory's rotation at the point of the binding.
- For example, if a sanding disk is snagged or pinched by the workpiece, the edge of the wheel that is entering into the pinch point can dig into the surface of the material causing the wheel to climb out or kick out. The wheel may either jump toward or away from the operator, depending on the direction of the wheel's movement at the point of pinching.
- Kickback is the result of power tool misuse and/or incorrect operating procedures or conditions and can be avoided by taking proper precautions as given below.

a) Maintain a firm grip on the power tool and position your body and arm to allow you to resist kickback forces. Always use auxiliary handle, if provided, for maximum control over kickback or torque reaction during start-up. The operator can control torque reactions or kickback forces, if proper precautions are taken.

b) Never place your hand near the rotating accessory. The accessory may kickback over your hand.

c) Do not position your body in the area where power tool will move if kickback occurs. Kickback will propel the tool in the direction opposite to the wheel's movement at the point of snagging.

d) Use special care when working corners, sharp edges etc. Avoid bouncing and snagging the sanding pad. Corners, sharp edges or bouncing have a tendency to snag the rotating accessory and cause loss of control or kickback.

GENERAL

- This tool should not be used by people under the age of 16 years
- This tool is not intended for use by persons (including children) with reduced physical, sensory or mental capabilities, or lack of experience and knowledge, unless they have been given supervision or instruction concerning use of the tool by a person responsible for their safety
- Ensure that children do not play with the tool
- This tool is not suitable for wet sanding
- Always disconnect plug from power source before making any adjustment or changing any accessory

OUTDOOR USE

When operating a power tool outdoors, use an extension cord suitable for outdoor use. The use of a cord suitable for outdoor use reduces the risk of electric shock.

If operating a power tool in a damp location is unavoidable, use a ground fault circuit interrupter (GFCI) protected supply. Use of an GFCI reduces the risk of electric shock.

BEFORE USE

- Before using the tool for the first time, it is recommended you read the complete manual
- Always check that the supply voltage is the same as the voltage indicated on the nameplate of the tool
- Do not work materials containing asbestos (asbestos is considered carcinogenic)
- Dust from material such as paint containing lead, some wood species, minerals and metal may be harmful (contact with or inhalation of the dust may

cause allergic reactions and/or respiratory diseases to the operator or bystanders); wear a dust mask and work with a dust extraction device when operating. Certain kinds of dust are classified as carcinogenic (such as oak and beech dust) especially in conjunction with additives for wood conditioning; wear a dust mask and work with a dust extraction device when operating.

- Follow the dust-related national requirements for the materials you want to work with.
- Use completely unrolled and safe extension cords with a capacity of 15 Amps.

AFTER USE

After switching off the tool, never stop the rotation of the accessory by a lateral force applied against it.

USE

Attaching auxiliary handle (Fig 2)

For reasons of safety the auxiliary handle must be assembled when using the product.

- Screw the auxiliary handle clockwise in one of the mounting threads
- Make sure the auxiliary handle (I) is securely fastened.

Attaching and changing sanding disc (Fig 3)

Place the sanding disc (M) in the center of the sanding pad (L) and press on. The holes in the sanding disc must be in alignment with the extraction holes in the sanding Pad.

Attaching and removing Dust bag Fig 4)

- - Align and attach the vacuum hose connector (O5) onto the dust extraction outlet (G) all the way to stop
- - After operation, hold and pull the vacuum hose connector (O5) off the dust extraction outlet (G) to remove the vacuum hose (O4) / dust bag (O) from the product.

Emptying Dust bag (Fig 5)

- Remove the vacuum hose (O4) with dust bag (O) from the product, if necessary.
- Hold the dust bag (O) over a suitable trash bag.
- Pull the clasp (O2) off the dust bag (O) and empty it into the trash bag (Fig. 5).
- Slide the clasp (O2) onto the rails on the dust bag (O) and re-attach the vacuum hose (O4) and dust bag (O) to the product.

Switching the machine on and off

- Turn on/off the drywall sander by switch (C)

- Adjust the speed by turning the speed wheel (B), user can choose different speeds for different sanding surfaces.
- A higher setting is suitable for sanding with fine-grained sanding papers to achieve a fine finishing.
- A lower setting is suitable for sanding with coarse-grained sanding papers to clean plaster and water stain from work surface.
- Use the Lock button (D) to keep the machine running at the same speed as selected.
- Do not overload by excessive pressure.

Halo Lighting System

Push the LED switch (F) to position 1 to turn on the LED and position O to turn off the LED.

Sanding can be difficult and time consuming due to surface clarity that leads to repeat sanding when you miss a spot. Newly design Halo system enables you to work better and more efficient while sanding. The system is designed and built with super-bright LEDs that are positioned at the ultimate angle to provide you visibility during inefficient lighting conditions. With this new function, you will not miss an uneven spot and finish your work quicker.

Adjusting suction power (Fig 7)

- Adjust the suction power according to the intended operation
- Turn the vacuum speed dial (H) clockwise to increase the suction power.
- Turn the vacuum speed dial (H) anticlockwise to decrease the suction power

Guard segment (Fig 8)

The detachable guard segment shortens the distance between the wall / ceiling and the side of the sanding paper / sanding pad. Remove the guard segment when the work surface is close to the other objects (e. g. wall, ceiling).

Detachable guard segment and rotated by 360°

The detachable guard segment allows close sanding between the wall / ceiling and the side of the sanding paper / sanding pad. Remove the guard segment when the work is close to the other surfaces (e. g. wall, ceiling). Sanding guard can be rotated by 360°, applying for different edges.

WARNING! Use the product without guard segment only for sanding operation on work close to other objects!

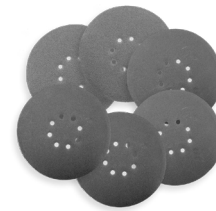
- Remove the guard segment (K1) from the guard (K).
- After operation, refit the segment (K1) onto the guard (K). Ensure the three points of segment (K1) press into the right position

MAINTENANCE / SERVICE

- **Store the tool in its protective case in a dry and secure place, out of reach of children**
- **Always keep tool and cord clean (especially ventilation slots).**
- **Do not attempt to clean ventilation slots by inserting pointed objects through openings.**
- **Disconnect the plug before cleaning.**

ENVIRONMENT

Do not dispose of electric tools with household waste material. Tools that have reached the end of their life should be collected separately and returned to an environmentally compatible recycling facility.



BNR1841 includes sample sanding discs with this Drywall Sander. You can order additional discs using the following part numbers from your local supplier.

BN Products Sanding discs for BNR1841 7" (180mm)

Sanding discs for BNR1841		
Part Number	Sanding Grit	Package Qty.
SDR7-60	60 Grit	10 Discs in a Pack
SDR7-80	80 Grit	10 Discs in a Pack
SDR7-100	100 Grit	10 Discs in a Pack
SDR7-120	120 Grit	10 Discs in a Pack
SDR7-150	150 Grit	10 Discs in a Pack
SDR7-180	180 Grit	10 Discs in a Pack
SDR7-240	240 Grit	10 Discs in a Pack
SDR7-400	400 Grit	10 Discs in a Pack
Sanding Pad for BNR1841		
SP7-S	Sanding Pad Soft (1.ea.) (Comes with the tool)	



BN Products-USA, LLC.

3450 Sabin Brown Road
Wickenburg, AZ 85390
(800) 992-3833 • mail@bnproducts.com
www.bnproducts.com